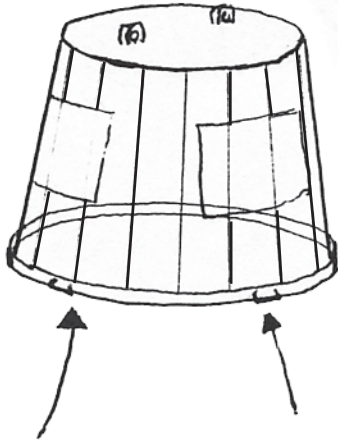
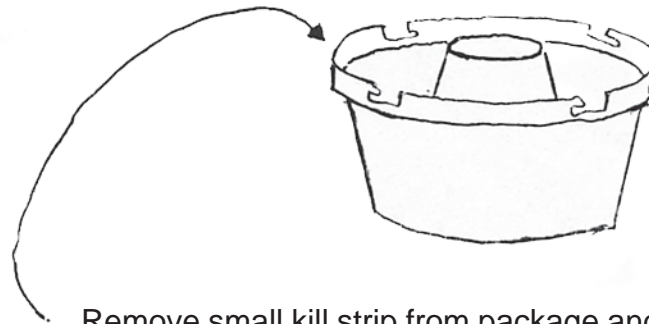
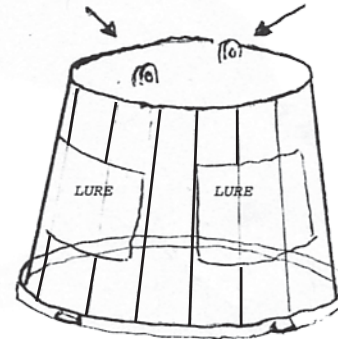


## CARIBBEAN FRUIT FLY TRAP ASSEMBLY INSTRUCTIONS



Remove lures from pouches, then carefully remove cover film from both to activate. DO NOT cut open pouch. On the back of each is a sticky strip; remove silicone paper and stick both on inside of clear chamber as shown above.

Attach string to hang from tree



Remove small kill strip from package and place into bottom of yellow tray. Now place clear top chamber into bottom and twist to lock into position. Attach string to clear chamber and hang from host tree branch in shade under canopy of tree if possible. Inspect trap weekly and remove dead insects.