

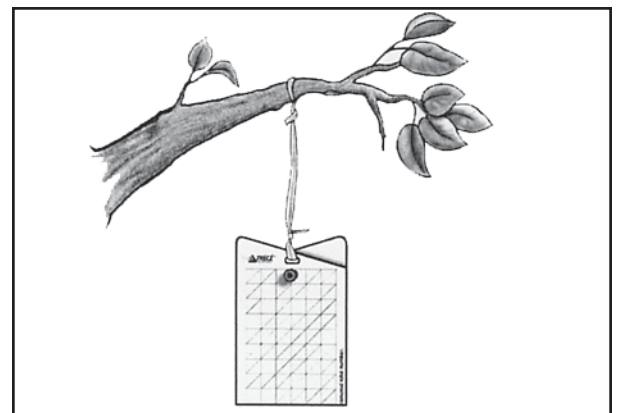
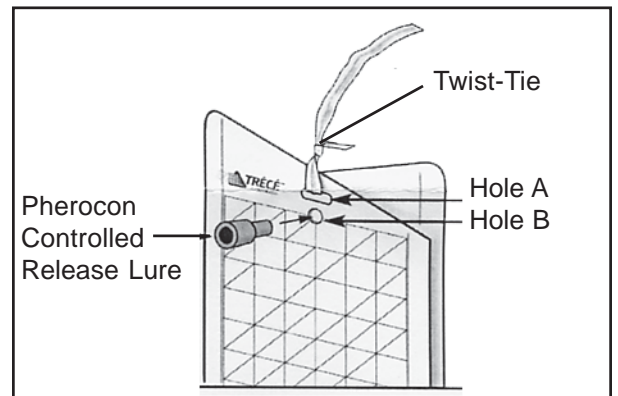
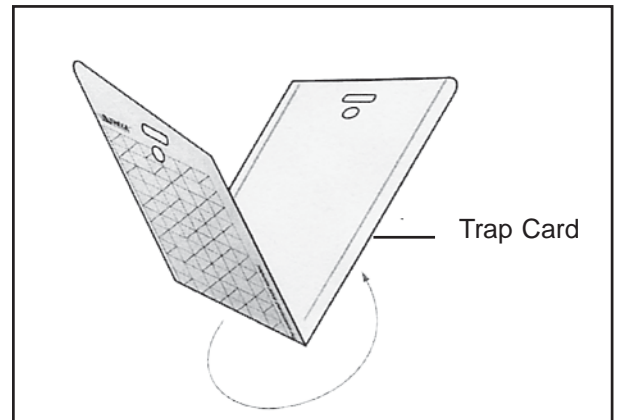
Pherocon[®] V Scale

Assembly Instructions



TRAP ASSEMBLY INSTRUCTIONS

1. Remove one trap card, one twist-tie and one Pherocon lure packet from the kit box.
2. Fold trap inside out so that the grid and glue are on the outside.
3. Push out die-cut perforations at the top of the trap and insert one end of twist-tie into Hole A and fasten securely.
4. Insert the Pherocon lure into Hole B until secure.
5. Attach the free end of the twist-tie to a tree branch 6 to 8 feet high in the Northeast quadrant of the tree just inside the canopy. (Be sure to hang the trap in a tree with a known infestation, if possible).



Distributed by:
Great Lakes IPM, Inc.
10220 E. Church Rd.
Vestaburg, MI 48891

800-235-0285
989-268-5693
989-268-5911

FAX: 989-268-5311
E-mail: gliipm@greatlakesipm.com
website: www.greatlakesipm.com