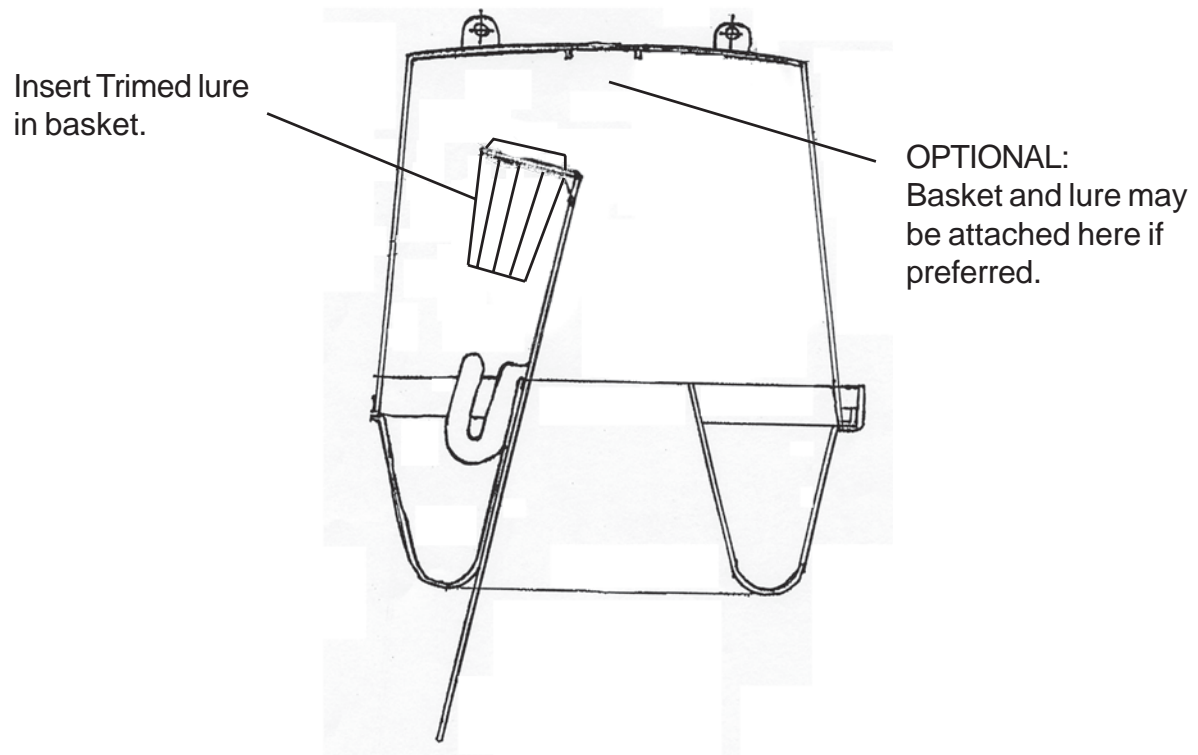




TRAP ASSEMBLY OF MODIFIED LIQUIBAITOR TRAP MEDFLY



STEP 1

Remove trimmed lure from package. Place in green basket. Attach lid to basket.

STEP 2

Place lure holder in trap by inserting end of holder through hole in middle of trap bottom.

STEP 3 (OPTIONAL)

Instead of using lure holder, lure may be placed in green basket (basket lid will not be needed) and then attached to circle on the inside of trap top.

STEP 4

Place trap top on trap bottom making sure that both pieces lock into place in the channels.

STEP 5

Attach trap string to top of trap and trap is ready to be hung.

Visit traps on a regular basis (at least weekly) and change dispensers every 4-6 weeks.